

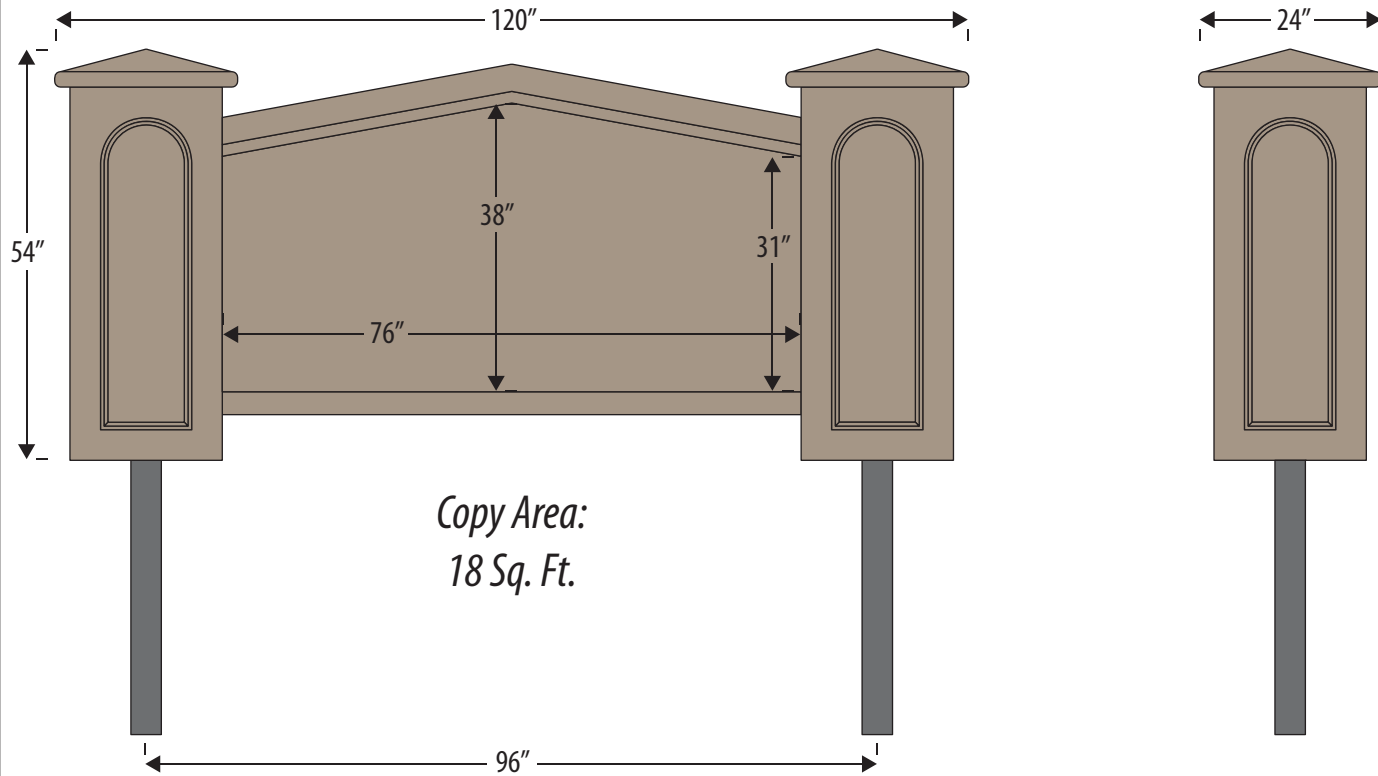
# LAYOUT FOR APPROVAL

Customer: Your Name Here

Name: Model #9.pdf

Date: 6/25/09

Designer: JMK



### Project Specifications:

- Standard Model #9
- Approx. 18 Sq. Ft. of copy area
- Poles are spaced 96" On Center

### Copy Information:

N/A

Colors:

TBD

Please use for sign layout purposes only. Due to monitor limitations, colors in this layout may not accurately represent the finished product. Physical paint samples available upon request.  
NOTE: This drawing is the sole property of Benchmark Foam Inc. Any use or reproduction of any form is prohibited without the written permission of Benchmark Foam Inc.

Approved  Revise  Approved As Noted By: \_\_\_\_\_ Date: \_\_\_\_\_

 **SIGNS BY BENCHMARK**  
Changing the way you look at signs.