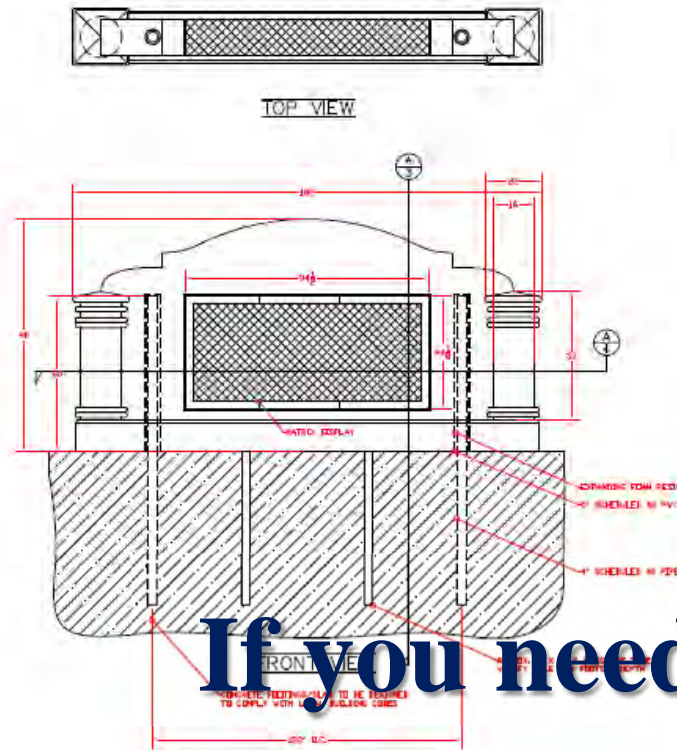


**From Idea to Reality...**

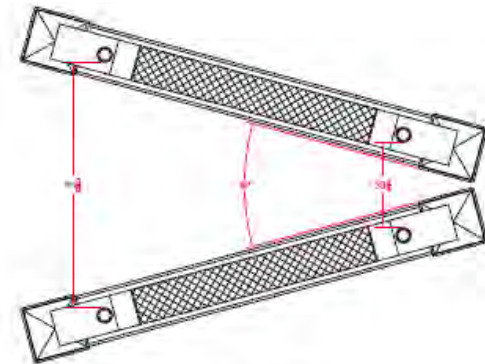
**Sign Accents**

# If you conceive it,

# we'll create it...



SIDE VIEW



PLAN VIEW

# If you need design assistance,

# we'll provide it...

**Signs By Benchmark**  
 Changing the way you look at signs.  
 3200 9th Ave SE • Watertown, SD 57201  
 Tel: (605) 886-8084 • Toll Free: 800-658-3444  
 Fax: (605) 886-8099

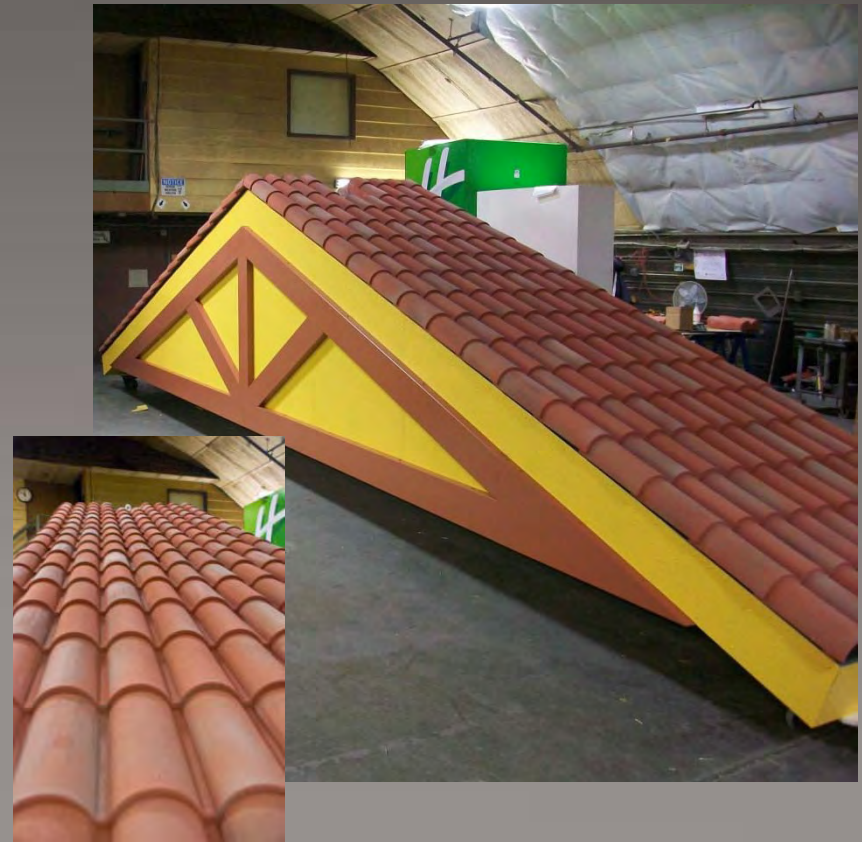
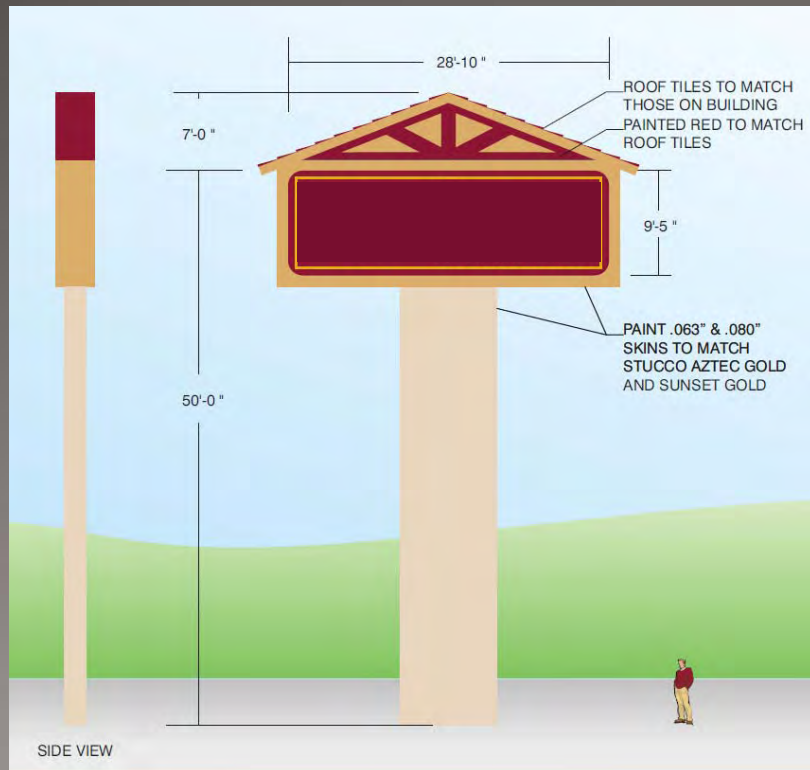
CUSTOMER CUSTOMER

NOTES

PROJECT	PROJECT	PATTERN NO.	90000
DWN BY	JMK	MATERIAL	AGED
DATE	1/1/09	REVISIONS	REV 0
SCALE	NTS		

# From Idea to Reality...Sign Accents

## Replica Clay Tiles



# From Idea to Reality...Sign Accents

## Custom Toppers



# From Idea to Reality...Sign Accents

## Custom Toppers



# From Idea to Reality...Sign Accents

## Arched Topper



## Faux Limestone Ledge Topper

# From Idea to Reality...Sign Accents

## Decorative Pole Cover & Top Cap

- Built to match existing brick & window trim



# From Idea to Reality...Sign Accents

## Pole Covers





# From Idea to Reality...Sign Accents

## Pole Covers



# From Idea to Reality...Sign Accents

## Decorative Elements



# From Idea to Reality...Sign Accents

## Sign Surround

